



# The SOM Series

## Microscopes for Dentistry



The Dental Microscope  
for all dental specialties



## The SOM Series Microscopes for den Dentistry

We offer a large range of accessories such as video and photo equipment, assistant- and secondary observation units, various couplings and objectives and eyepieces are available. This system features building block design to facilitate future adaption or upgrade.

### *You can only treat what you see!*

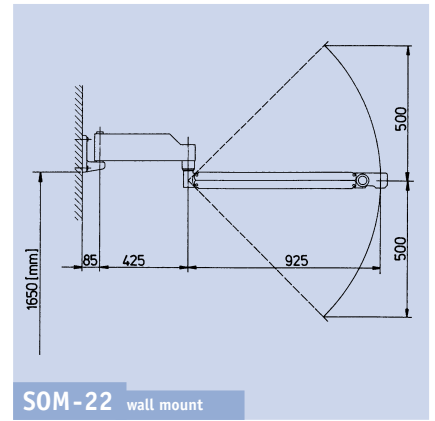
Illumination and magnification are the key words for the use of microscopes in all fields of dentistry.

We offer wall and ceiling mount and a choice of several styles of floor stand mount. Our new **Tri-Lum** 3-beam shadowless illumination delivers high intensity light to the operative field.

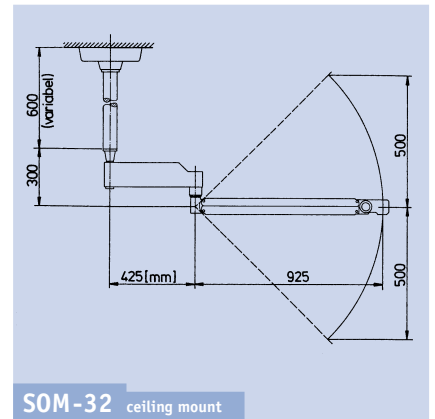
To give you the full benefit of the clear illumination we offer different magnification systems from a 3-step changer manual up to an 8-fold zoom motorized.



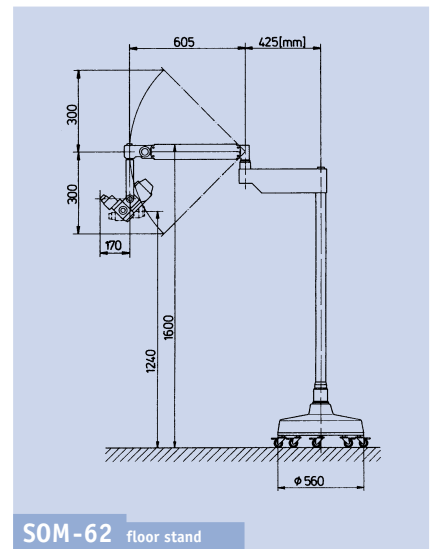
- 1** upper canine. evaluation of neo-apical seal after apicoectomy (**26x**)
- 2a** fragment of the apex (**4x**)
- 2b** same fragment (**26x**)



**SOM-22** wall mount



**SOM-32** ceiling mount



**SOM-62** floor stand

Schematic diagrams representing three versions of suspension systems



Karl Kaps GmbH & Co.KG • Europastrasse • 35614 Asslar/Wetzlar  
Fon (+49) 64 41 8 07 04-0 • Fax (+49) 64 41 8 59 85  
www.kaps-optik.de • e-mail: info@kaps-optik.de